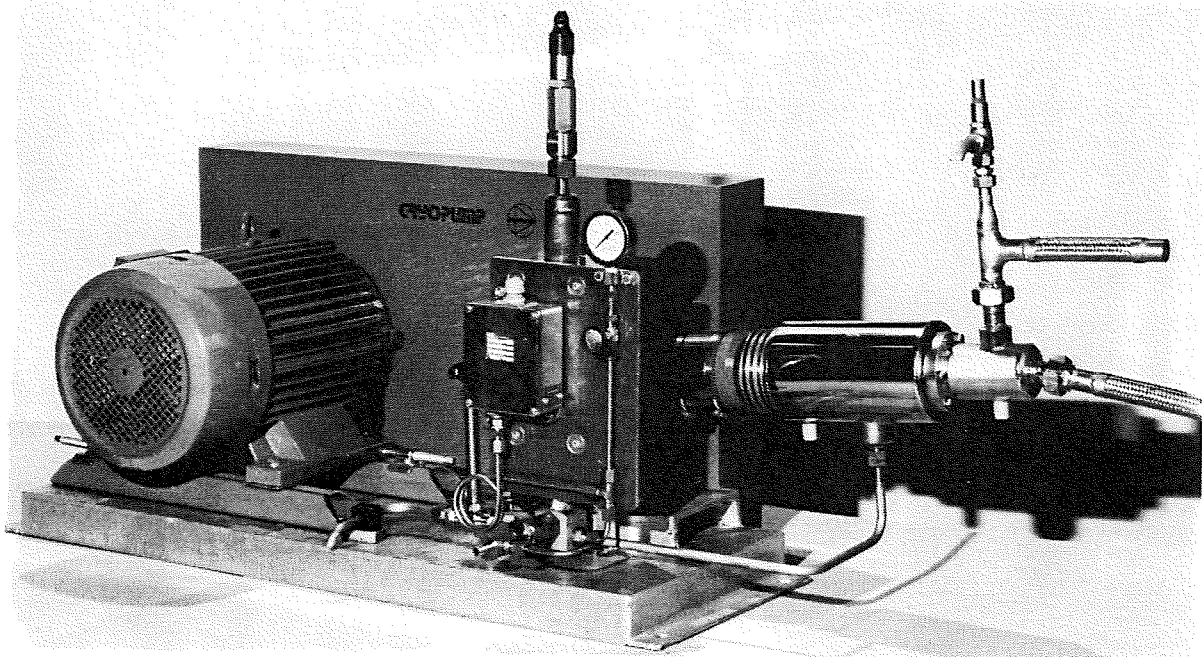


# Cryogenic High Pressure Quickstart Reciprocating Pump Series RP22 / RP30 / RP36



*Standard installation for cylinder-filling up to 300 bar pressure*

## Applications

- ◆ Cylinder filling
- ◆ Pipeline back-up
- ◆ Airplane ground support
- ◆ Cold box operation

## Fluids pumped

- ◆ Oxygen
- ◆ Nitrogen
- ◆ Argon
- ◆ Carbon dioxide

## Special Features

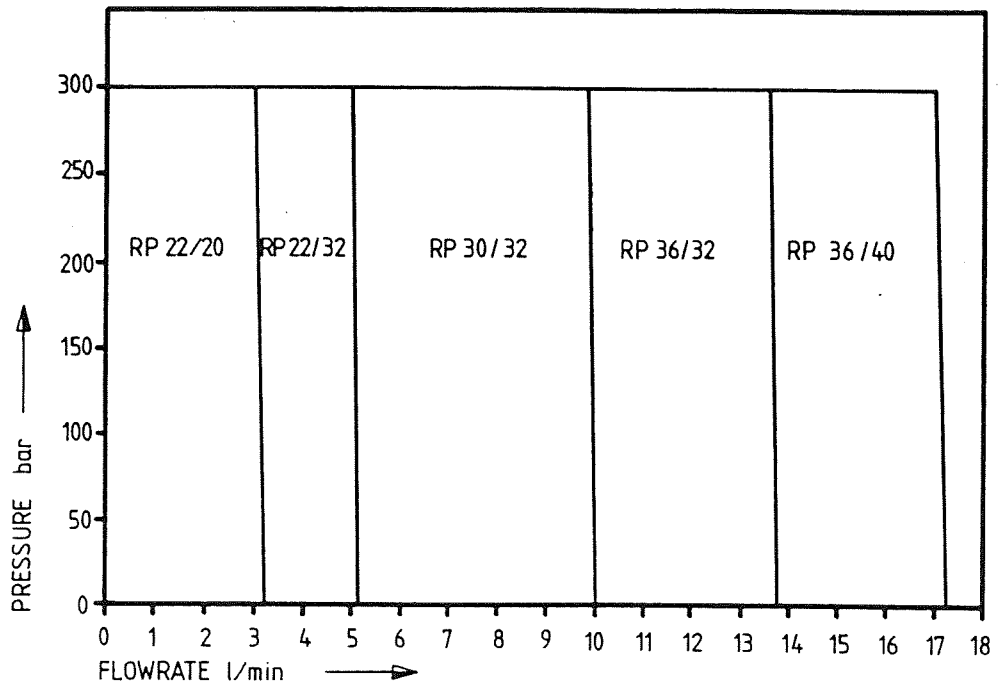
- ◆ All-round vacuum insulation
- ◆ Quick cool down
- ◆ High reliability
- ◆ Minimal maintenance
- ◆ 'DA' double suction system available for extremely low NPSH operation (patent pending)
- ◆ For no loss operation, vacuum-insulated flexible hoses available
- ◆ Special sealing system for high purity gas and high pressure CO<sub>2</sub> operation



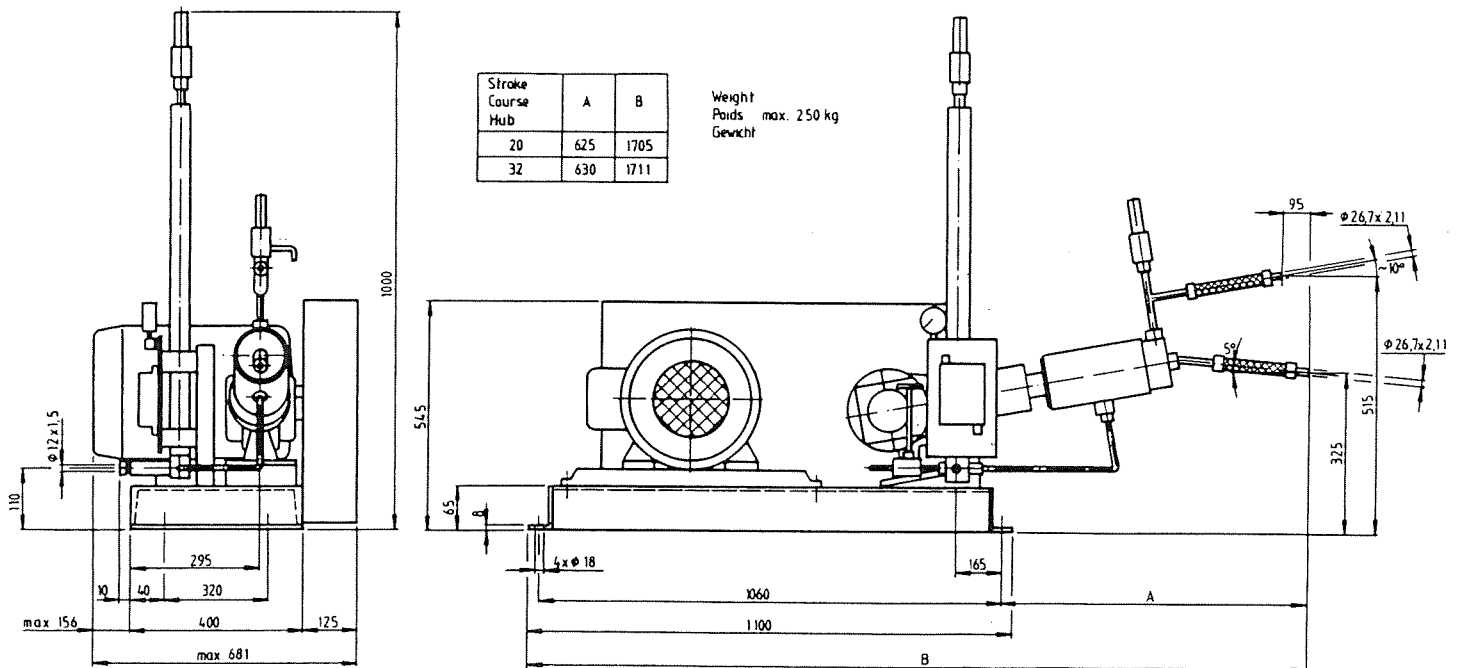
ACD CRYO AG  
Gutenbergstrasse 1  
CH-4142 Münchenstein  
Switzerland

# Series RP22 / RP30 / RP36

## Performance



## Dimensions



ACD CRYO AG  
 Gutenbergstrasse 1  
 CH-4142 Münchenstein  
 Switzerland