



SGV Series

Applications

- ▶ Storage filling
- ▶ Special medium to heavy duty applications
- ▶ LH₂ process

Features & Benefits

- ▶ Modular, compact displacement pumps available in 1, 2, or 3 cylinder configurations provide a wide range of flows
- ▶ Vacuum jacketed cold end for minimal cooldown losses and economical operation, ideal for liquid hydrogen
- ▶ Oil pressure lubricated drive complete with integral oil pump enables clean operation and no external oil reservoirs
- ▶ Belt driven from electric drive motors or foot mounted for use with hydraulic drives allows for extended pump duty
- ▶ Improved cold end assembly design extends seal life

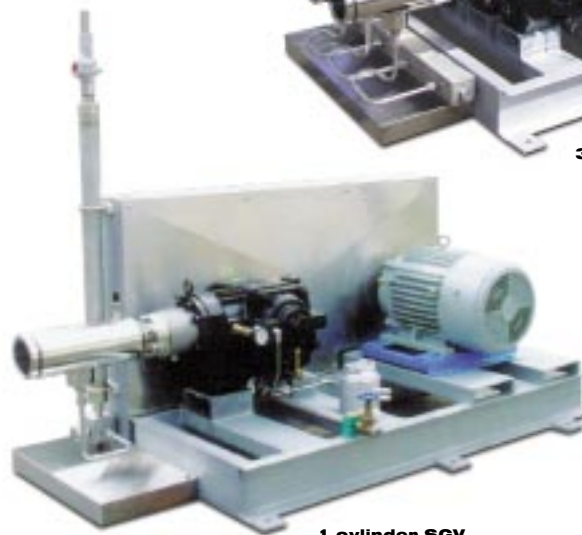
Liquids Pumped

- ▶ N₂, O₂, Ar, H₂, methane (LNG)

High Pressure Pump



3 cylinder SGV

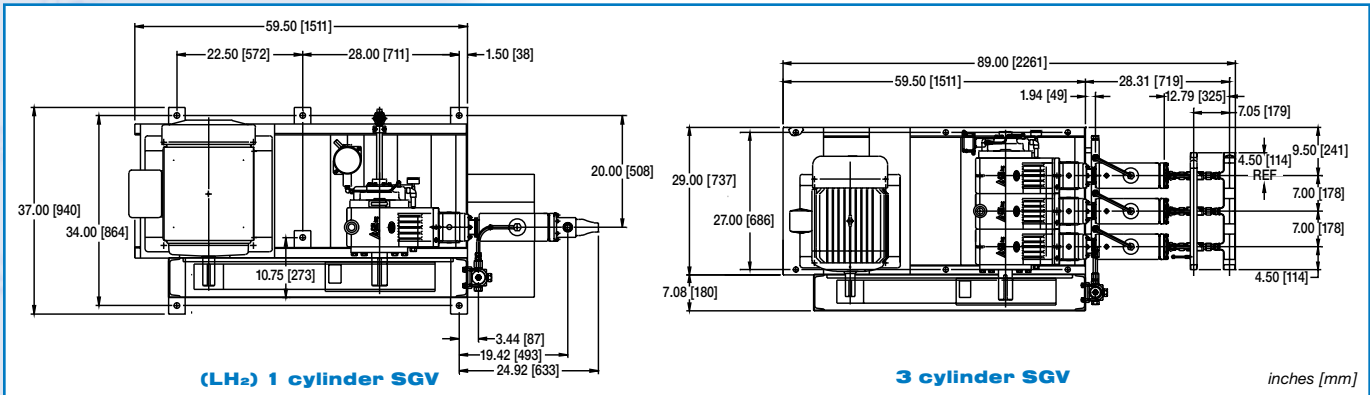


1 cylinder SGV

Specifications

	1.25 bore x 1.38 stroke (32 mm x 35 mm)	1.625 bore x 1.38 stroke (41 mm x 35 mm)	1.97 bore x 1.38 stroke (50 mm x 35 mm)
Flow Rate			
gpm	0.94 – 14.95	1.6 – 25.28	2.35 – 37.1
lpm	3.57 – 56.6	6.08 – 95.7	8.90 – 140.4
LH ₂ (gpm)	0.90 – 14.40	1.52 – 24.38	2.25 – 35.8
Pump Design Rating			
hp	15 – 200	15 – 200	15 – 200
kw	11 – 150	11 – 150	11 – 150
Maximum Discharge Pressure			
psi	10000	6000	6000
bar	690	414	414
NPSPR			
psi	10	5	5
bar	0.70	0.35	0.35

Dimensions



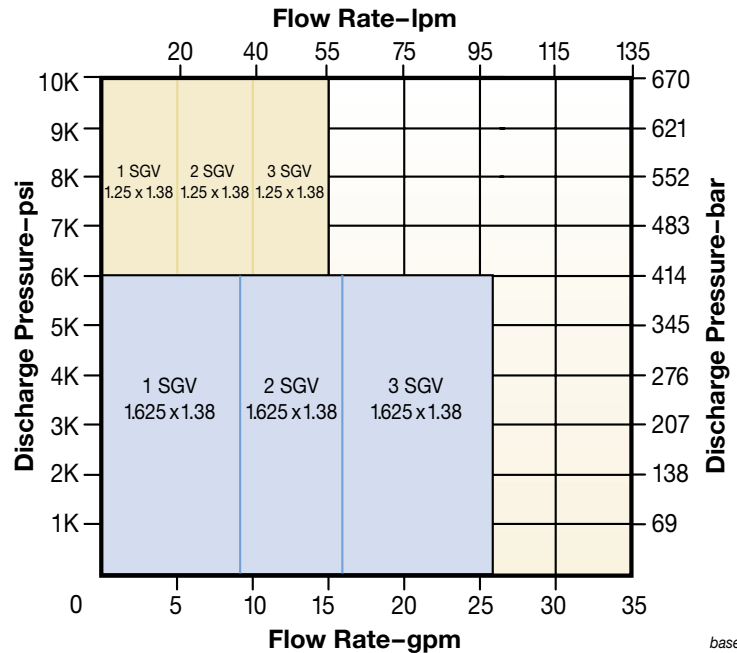
Scope of Supply

- ▶ Vacuum jacketed cold end with pressure oil lubricated drive end
- ▶ Positive locking coupling
- ▶ Standard suction adapter with Monel strainer
- ▶ Distance piece with purge ports
- ▶ Hot dipped galvanized steel skid
- ▶ TEFC motor
- ▶ High pressure relief valve with discharge line and surge chamber
- ▶ Drip pan kit for LH₂ only
- ▶ Suction/vapor return manifold for multiple cylinders

Optional Accessories

- ▶ Vacuum jacketed suction adapter (standard for LH₂)
- ▶ Foot mounted configuration (no motor)
- ▶ Control panel, manual or auto
- ▶ Loss of prime detector (cavitation protection)
- ▶ Cooldown lock-up control

Pump Performance Map



2321 S. Pullman Street
Santa Ana, CA 92705 USA
Tel 800.525.4216 (USA only)
Tel +1.949.261.7533
Fax +1.949.261.6285
acd@acdcom.com
www.acdcom.com



Gutenbergstrasse 1
CH-4142 Muenchenstein
Switzerland
Tel +41.61.413.0230
Fax +41.61.413.0233
sales@acdcrysto.com
www.acdcrysto.com

Rheinauenstrasse 2
D-79415 Bad Bellingen
Germany
Tel +49.7635.8105.0
Fax +49.7635.8965
info@acdcrysto.com
www.acdcrysto.com

Cryogenic Industries-Headquarters
25720 Jefferson Avenue
Murrieta, CA 92562 USA
Tel +1 909.696.7840
Fax +1 909.698.7484
info@cryoind.com
www.cryoind.com

CryoAtlanta, Inc.
370 Great Southwest Parkway, Suite F
Atlanta, GA 30336 USA
Tel 888.217.9355 (USA only)
Tel +1 404.696.8113
Fax +1 404.696.8116
tfarmer@bellsouth.net
www.cryoatlanta.com

CryoCal, Inc.
2110 S. Lyon Street, Unit H
Santa Ana, CA 92705 USA
Tel +1 949.724.8636
Fax +1 714.641.1921
cryocal@mgi.com
www.cryocal.com

CryoCanada Inc.
530 McNicoll Avenue
North York, Ontario M2H 2E1, Canada
Tel +1 416.502.1950
Fax +1 416.502.1952
cryocan@istar.ca
www.cryocanada.com

Cryogenic Industries - Houston
14014 Interdrive East
Houston, TX 77032 USA
Tel +1 281.590.4800
Fax +1 281.590.4801
sales@cihouston.com
www.cihouston.com

Cryogenic Industries-Malaysia
Lot 35, Jalan Selat Selatan 21
Sobena Jaya, Pandamaran
42000 Port Klang, Selangor, Malaysia
Tel +60 (3) 3165.4801
Fax +60 (3) 3165.4798
rmross1@attglobal.net

Cryogenic Industries-China
218 Tian Mu Shan Road
Hangzhou, 310007, China
Tel +86 571.888.59026
Fax +86 571.888.59025
hci@mail.hz.zj.cn

Cryoquip - Australia
14 Zenith Road
Dandenong, Victoria 3175, Australia
Tel +61.3.9791.7888
Fax +61.3.9769.2788
rday@iwi.com.au
www.cryoquip.com

Pittsburgh Cryogenic Services, Inc.
767 State Route 30
Imperial, PA 15126 USA
Tel 800.327.6461 (USA only)
Tel +1 724.695.1910
Fax +1 724.695.1926
pittcryo@pittcryogenic.com
www.pittcryogenic.com

