



Members of CRYOGENIC INDUSTRIES

Model AC-18 (HD)

Well Service Boost Pump

Applications

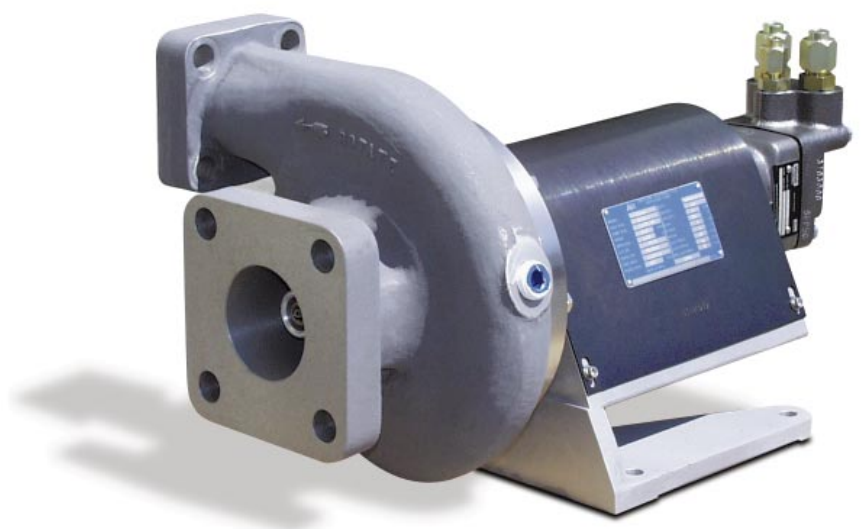
- ▶ Well service
- ▶ Transfer boost pump

Features & Benefits

- ▶ Compact design is lightweight and reduces installation time
- ▶ Hydraulic drive allows operators to use truck pto system
- ▶ Bearing housing designed for well service, heavy duty applications
- ▶ Shaft seal features ELF design, extending seal life

Liquids Pumped

- ▶ N₂



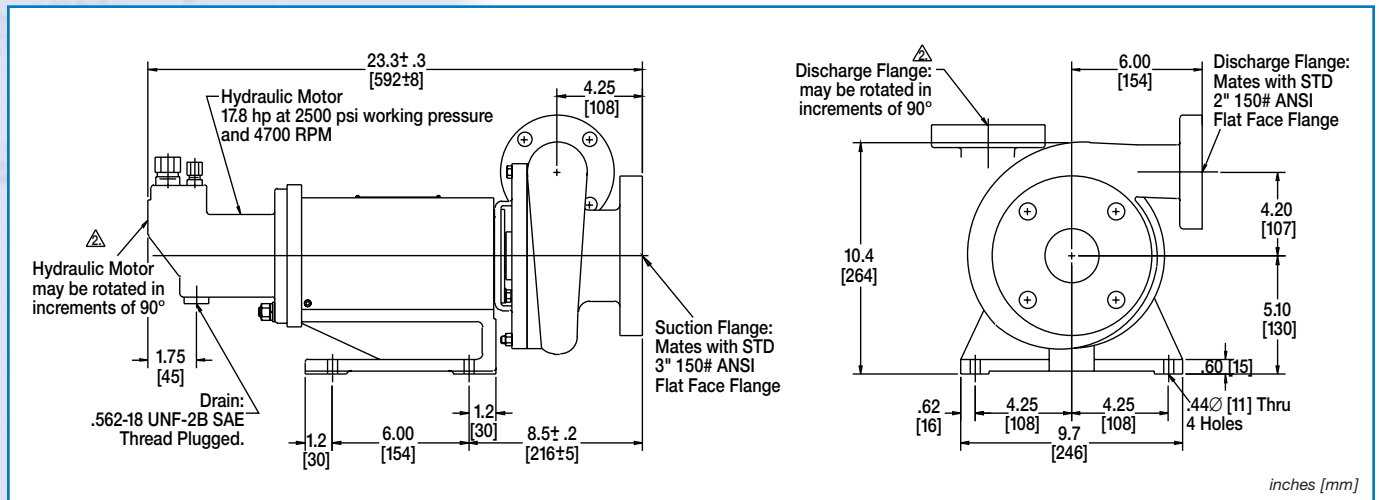
Not available for O₂ service.

Specifications

Flow Range	
gpm	5-250
lpm	20-950
NPSHR	
feet	3-8
meters	1-2.5
Differential Head	
feet	40-600
meters	31-182
Pump Design Rating	
hp	1-50
kw	0.75-37
RPM Range	
rpm	2000-7000

Model AC-18 (HD)

Dimensions



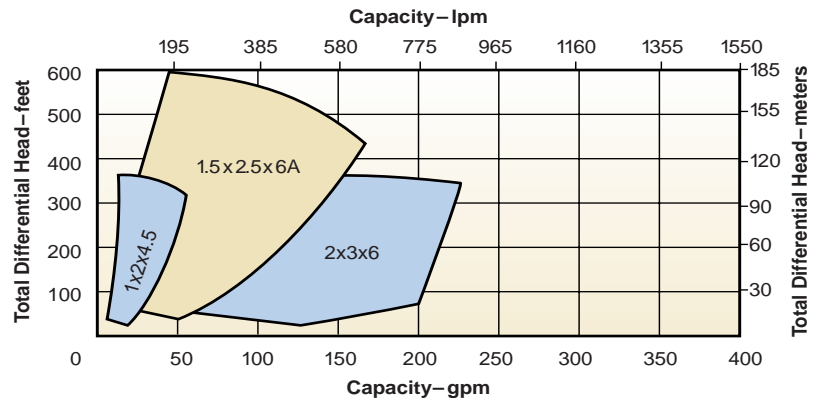
Pump Performance Map

Scope of Supply

- ▶ Pump, bearing housing and hydraulic coupling
- ▶ ELF mechanical seal
- ▶ Purge ports

Optional Accessories

- ▶ Purge kit (bearings)



Speed Range:

1x2x4.5	2000 to 7000 rpm
1.5x2.5x6A	2000 to 7000 rpm
2x3x6	2000 to 6000 rpm

based on 60hz

Worldwide Sales & Service Centers



2321 S. Pullman Street
Santa Ana, CA 92705 USA
Tel +1.949.261.7533 • Fax +1.949.261.6285
800.525.4216 (USA only)
acd@acdcom.com, www.acdcom.com



Gutenbergstrasse 1
CH-4142 Muenchenstein, Switzerland
Tel +41.61.413.0230 • Fax +41.61.413.0233
info@acdcryo.com

Cryogenic Industries—Headquarters
25720 Jefferson Avenue
Murrieta, CA 92562 USA
Tel +1 909.696.7840
Fax +1 909.698.7484
info@cryoind.com
www.cryoind.com

CryoAtlanta, Inc.
370 Great Southwest Parkway, Suite F
Atlanta, GA 30336 USA
Tel 888.217.9355 (USA only)
Tel +1 404.696.8113
Fax +1 404.696.8116
tfarmer@bellsouth.net

CryoCal, Inc.
2110 S. Lyon Street, Unit H
Santa Ana, CA 92705 USA
Tel +1 949.724.8636
Fax +1 714.641.1921
cryocal@ix.netcom.com

CryoCanada Incorp.
530 McNicoll Avenue
North York, Ontario M2H 2E1, Canada
Tel +1 416.502.1950
Fax +1 416.502.1952
cryocan@istar.ca

Cryogenic Industries—Malaysia
Lot 35, Jalan Selat Selatan 21
Sobena Jaya, Pandamaran
42000 Port Klang, Selangor, Malaysia
Tel +60 (3).365.4801
Fax +60 (3).365.4798
jestes@pc.jaring.my

Pittsburgh Cryogenic Services, Inc.
767 State Route 30
Imperial, PA 15126 USA
Tel 800.327.6461 (USA only)
Tel +1 724.695.1910
Fax +1 724.695.1926
pittcryo@pulsenet.com

Cryo-Chem Pty LTD
47 McIntosh Street
Airport West, Victoria 3042, Australia
Tel +61 3.9330.2444
Fax +61 3.9330.1015
rmross1@ibm.net

Cryogenic Industries—China
64 Tian Mu Shan Road
Hangzhou, 310007, China
Tel +86 571.885.9026
Fax +86 571.885.9025
dking@mail.hz.zj.cn

Members of CRYOGENIC INDUSTRIES